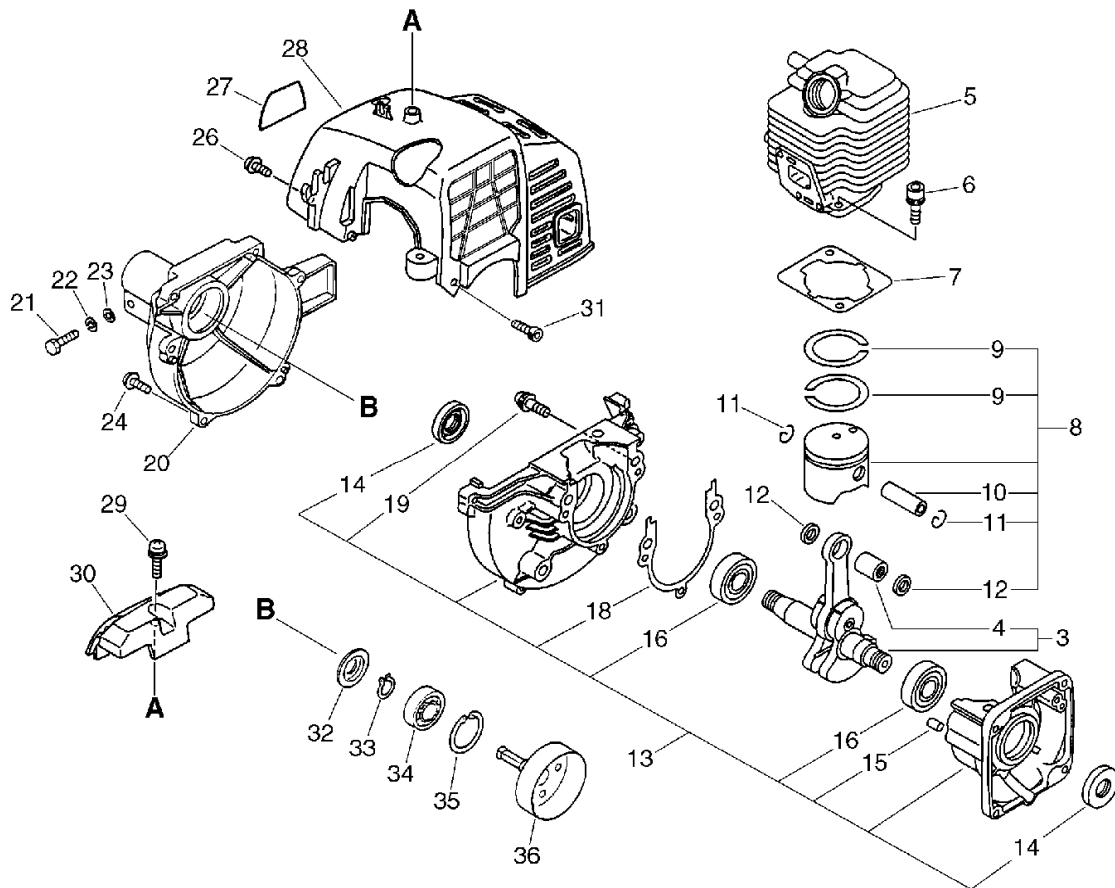




PARTS CATALOG

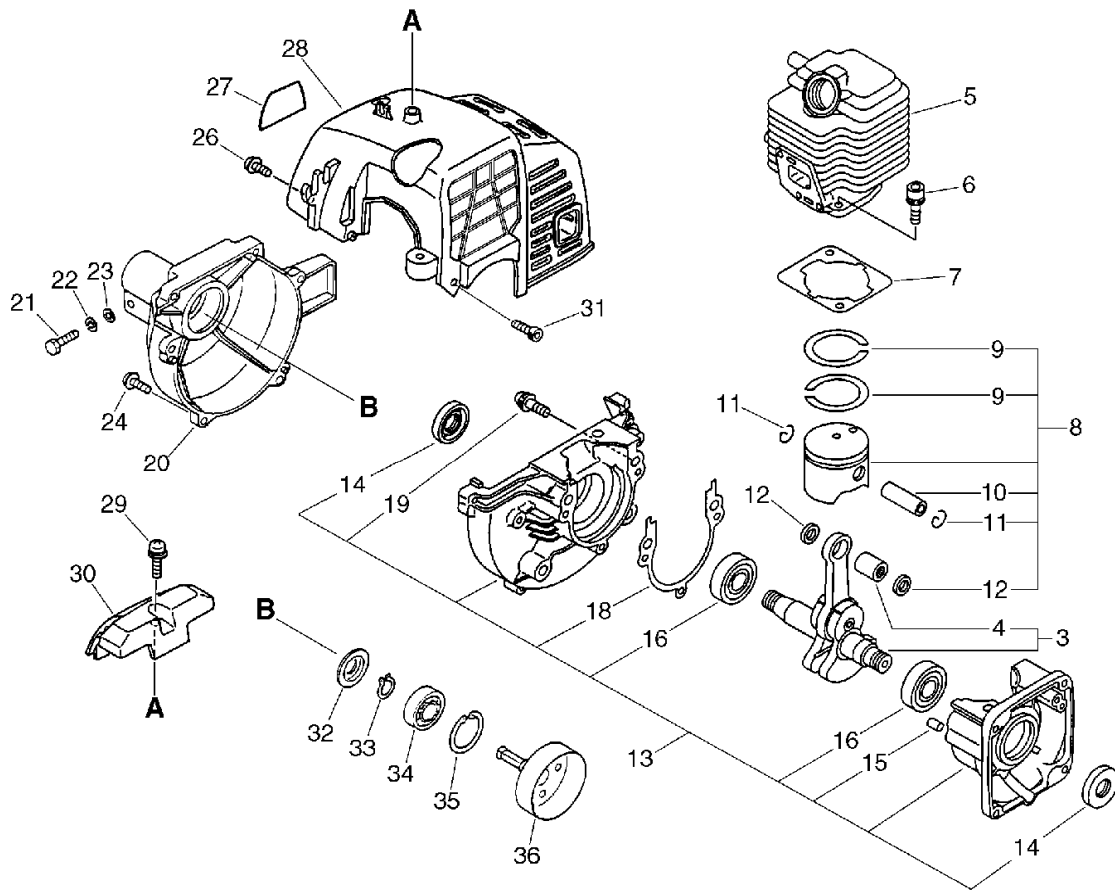
POWER PRUNER PPT-2400(6digits)(36)

1. Cylinder, Crankcase, Piston, Fan Cover



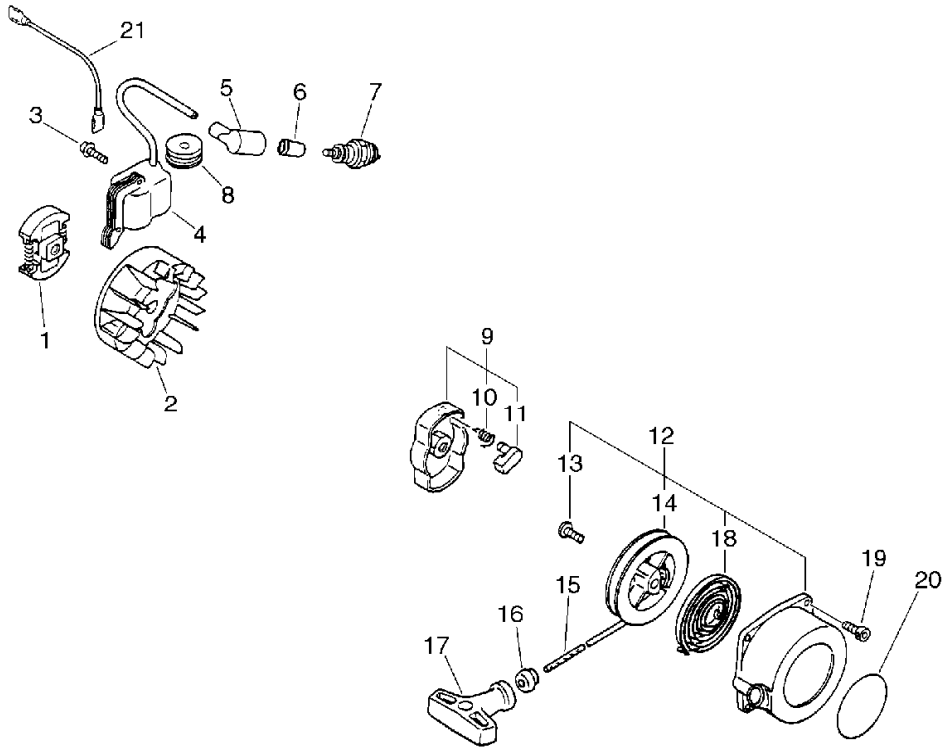
KEY	LV	PART NUMBER	Q'TY	DESCRIPTION	REMARKS	NOTE1	NOTE2
						Sus. by A011-000101	
3		A011-000100	1	CRANKSHAFT,ASM			
3		A011-000101	1	CRANKSHAFT,ASM			
4	+	V553-000010	1	BEARING,NEEDLE 8	HK0810		
5		101011-08961	1	CYLINDER (CR)			
6		900162-05022	2	BOLT, H.S. 5*22	5*22 W,SW		
7		101010-44332	1	GASKET, CYL. BASE			
8		100000-09563	1	PISTON KIT			
9	+	100011-09560	2	RING, PISTON			
10	+	100013-11520	1	PIN, PISTON			
11	+	100015-04630	2	CIRCLIP, PISTON PIN			
12	+	100014-11520	2	SPACER, PISTON PIN			
13		100204-52130	1	CRANKCASE KIT		Sus. by 100204-52132	
13		100204-52131	1	CRANKCASE KIT		Sus. by 100204-52132	
13		100204-52132	1	CRANKCASE KIT			
14	+	100212-42030	2	OILSEAL	ISCD12*22*4.5	Sus. by 100212-42031	
14	+	100212-42031	2	OILSEAL	ISCD 12*22*4.5		
15	+	100215-03930	2	PIN, DOWEL			
16	+	94035-36201	2	BEARING BALL	6201X3JR2C3		
18	+	100242-42030	1	GASKET, CRANKCASE			
19	+	900162-05028	3	BOLT, H.S. 5*28	5*28 W,SW		
20		101511-44630	1	COVER, FAN (BS)			

1. Cylinder, Crankcase, Piston, Fan Cover



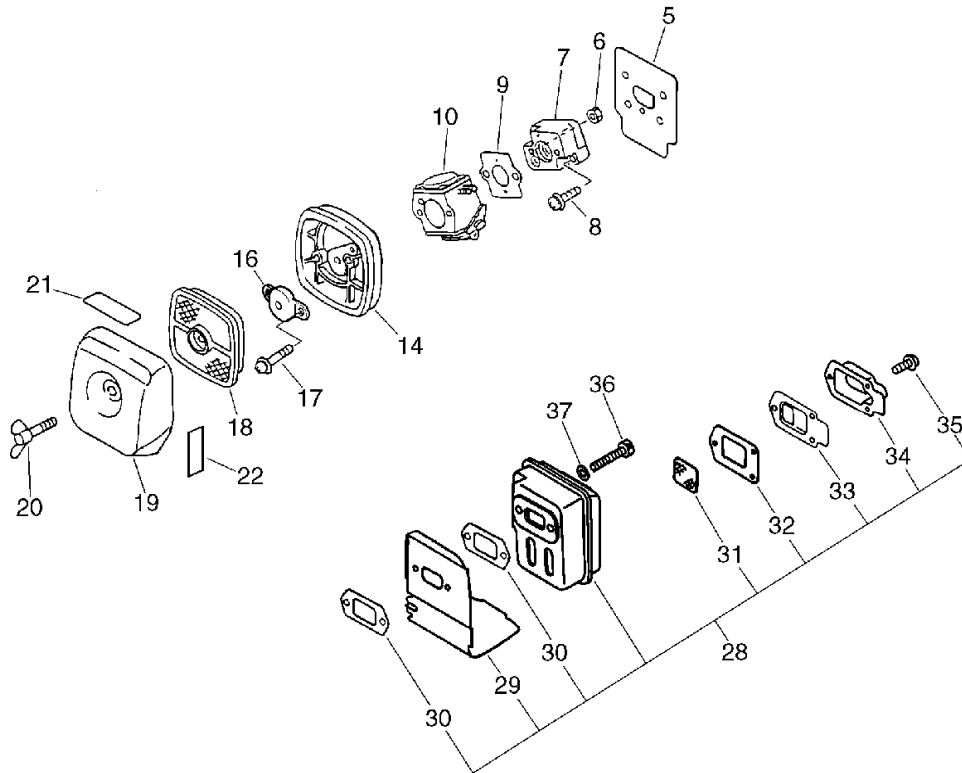
KEY	LV	PART NUMBER	Q'TY	DESCRIPTION	REMARKS	NOTE1	NOTE2
21		900151-05025	1	BOLT 5*25	5*25 S45C		Sus. by 900162-05025
21		900162-05025	1	BOLT, H.S. 5*25	5*25 W,SW		
22		900605-00005	1	WASHER, SPRING 5	5	Disuse	
23		900600-00005	1	WASHER 5	5	Disuse	
24		900163-04016	4	BOLT HSH			
26		900238-04012	2	SCREW 4*12	4*12		
27		890034-24661	1	LABEL, MODEL			
28		101514-44531	1	COVER, CYLINDER			
29		900253-05016	1	SCREW	5*16		
30		159912-44530	1	GUARD, TOP			
31		900163-04016	2	BOLT HSH			
32		175053-04920	1	STOPPER			
33		900701-00012	1	CIRCLIP 12	CS-12		
34		900814-06201	1	BEARING, BALL 6201	6201ZZ		
35		900702-00032	1	CIRCLIP 32	CR-32		
36		175005-42030	1	DRUM, CLUTCH			

2. Starter, Magneto, Clutch



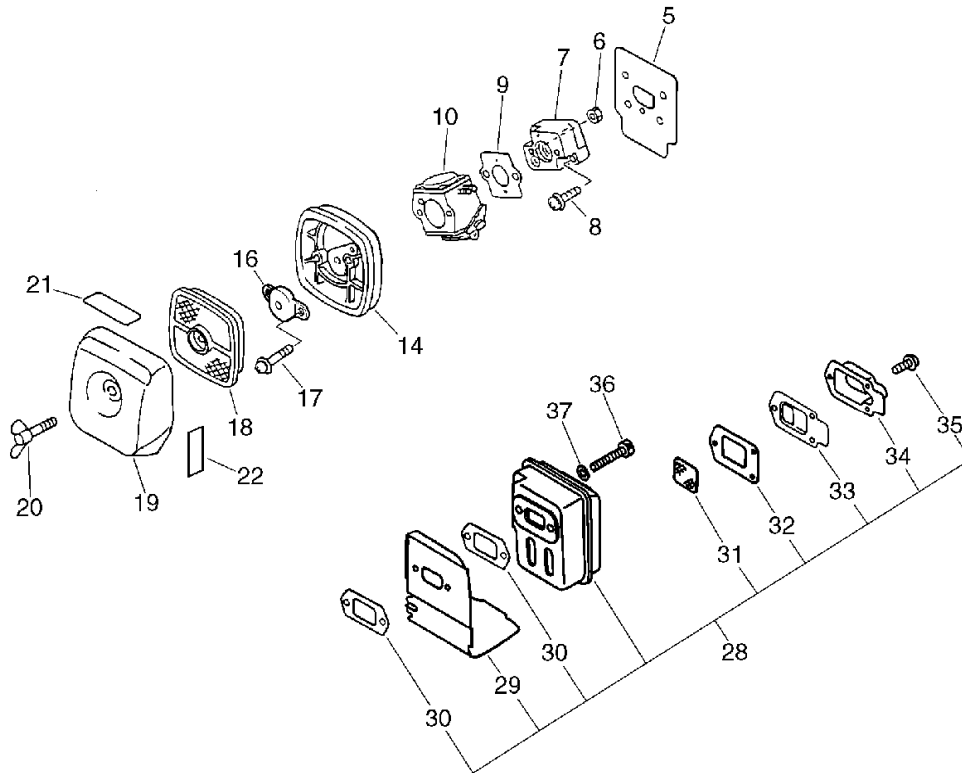
KEY	LV	PART NUMBER	Q'TY	DESCRIPTION	REMARKS	NOTE1	NOTE2
1		175000-56830	1	CLUTCH ASSY		Sus. by 175000-56831	
2		156801-09660	1	FLYWHEEL			
3		900162-04022	2	BOLT, H.S. 4*22	4*22 W,SW		
4		156626-52730	1	COIL, IGNITION			
5		159012-10230	1	CAP, SPARK PLUG			
6		159016-05330	1	ADAPTER, PLUG CAP			
7		159010-10230	1	PLUG, SPARK (BPMR-7A)	BPMR-7A		
8		150112-44330	1	BUSHING			
9		177202-44330	1	PAWL ASSY, STARTER		Sus. by 177202-44331	
9		177202-44331	1	PAWL ASM., STARTER			
10	+	177234-42030	1	SPRING, RETURN			
11	+	177218-44330	1	PAWL, STARTER	BLACK		
12		177200-42033	1	STARTER ASSY			
13	+	177236-44330	1	SCREW			
14	+	177215-44430	1	DRUM, STARTER			
15	+	177226-10120	1	ROPE, STARTER	3.0*1000		
16	+	177227-42030	1	GUIDE, ROPE			
17	+	177228-06530	1	GRIP, STARTER			
18	+	177220-42030	1	SPRING, REWIND			
19		900163-04016	2	BOLT HSH			
20		890118-49130	1	LABEL, ECHO		Sus. by X502-000330	
21		162010-52830	1	LEAD, GROUND			

3. Air Cleaner, Muffler



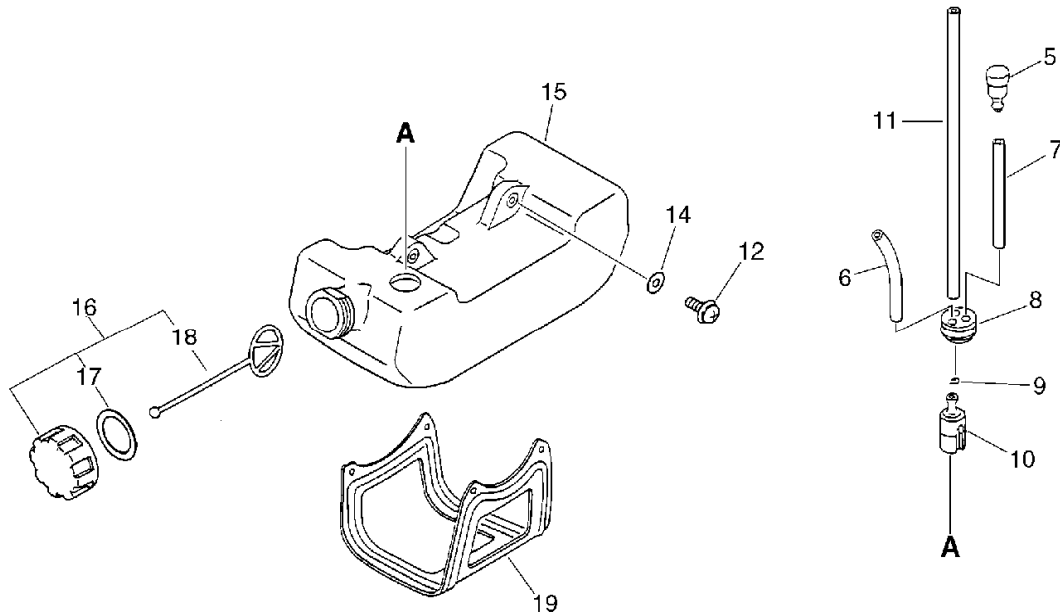
KEY	LV	PART NUMBER	Q'TY	DESCRIPTION	REMARKS	NOTE1	NOTE2
5		130010-42032	1	GASKET,INTAKE			
7		130017-42031	1	INSULATOR, INTAKE			
6		900500-00005	2	NUT 5	5		
8		900238-05020	2	SCREW 5*20	5*20		
9		130010-05960	1	GASKET, INTAKE			
10		123000-52133	1	CARBURETOR WT-424C	WT-424C		
14		130307-06761	1	CASE,AIR CLEANER			
16		129011-06360	1	PLATE, PREVENT		Sus. by 129011-06361	
16		129011-06361	1	PLATE, PREVENT			
17		900242-05065	2	SCREW 5*65	5*65		
18		130310-54130	1	FILTER, AIR			
19		130313-05863	1	LID, AIR CLEANER			
20		210417-52730	1	BOLT, WING	5*20		
21		890334-52730	1	LABEL, METERING			
22		890332-52730	1	LABEL, CHOKE			
28		145800-52631	1	MUFFLER ASY (SAM)		Sus. by 145800-52633	
28		145800-52632	1	MUFFLER ASY (SAM)		Sus. by 145800-52633	
28		145800-52633	1	MUFFLER ASY (SAM)			
29	+	145631-42030	1	COVER, MUFFLER		Sus. by A320-000251	
29	+	A320-000250	1	COVER,MUFFLER		Sus. by A320-000251	
29	+	A320-000251	1	COVER,MUFFLER			

3. Air Cleaner, Muffler



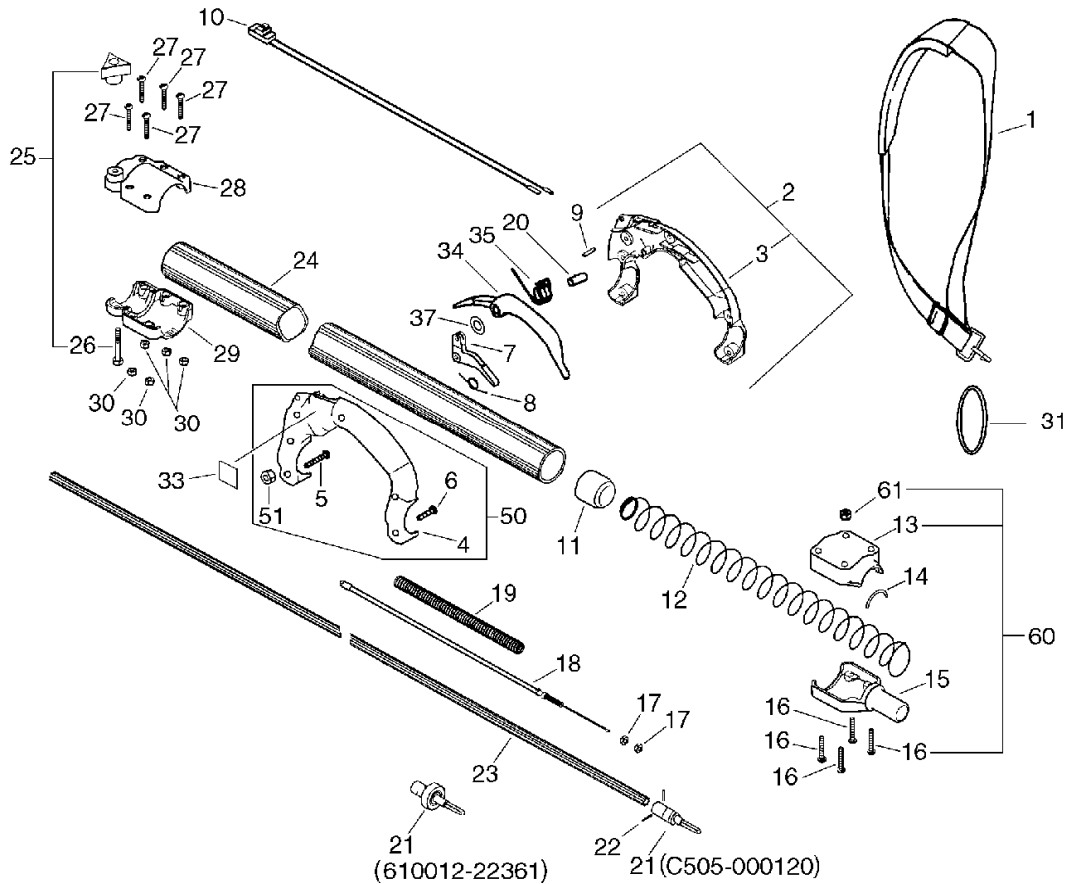
KEY	LV	PART NUMBER	Q'TY	DESCRIPTION	REMARKS	NOTE1	NOTE2
30	+	V104-000160	2	GASKET,EXHAUST			
31	+	145862-40630	1	SCREEN, MUFFLER			
32	+	145866-42031	1	GASKET, MUFFLER LID			
33	+	145876-42030	1	LID, MUFFLER (B)			
34	+	145818-52130	1	GUIDE, EXHAUST			
35	+	900238-04010	3	SCREW 4*10	4*10		
36		900105-05055	2	BOLT, H.S. 5*55	5*55		
37		900600-00005	2	WASHER 5	5		

4. Fuel Tank



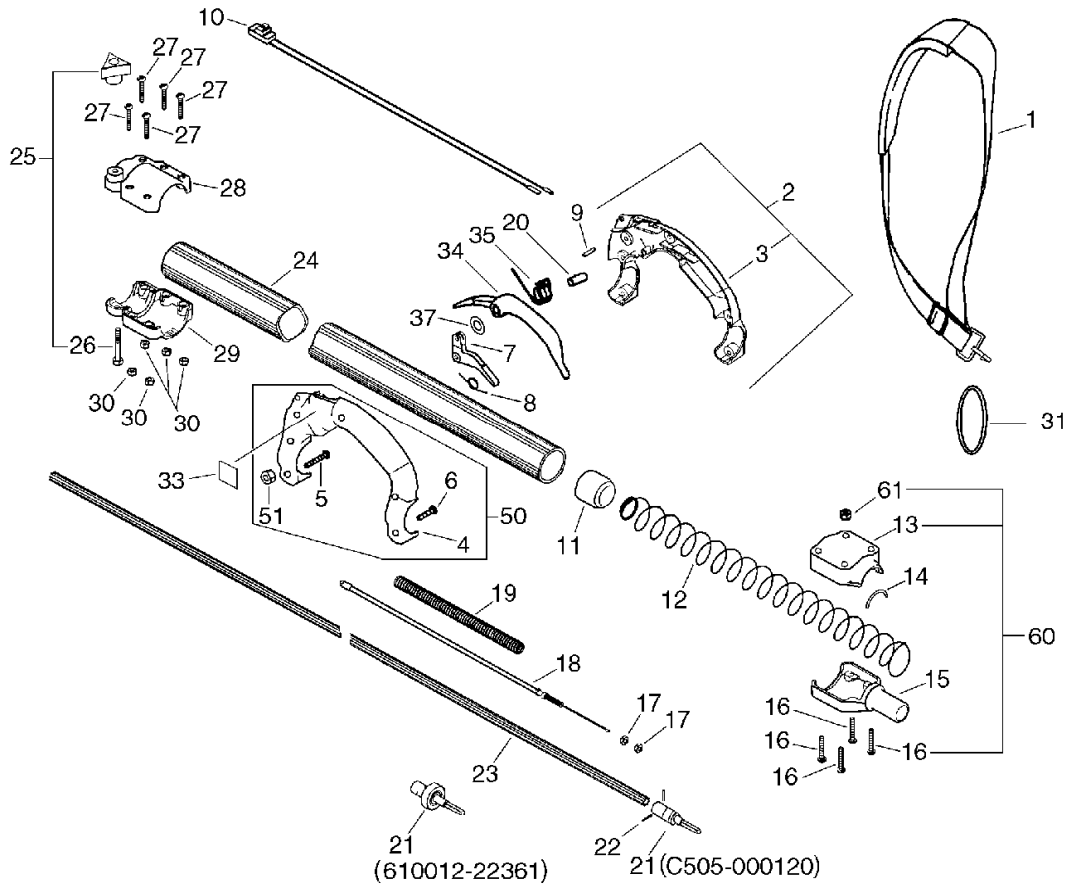
KEY	LV	PART NUMBER	Q'TY	DESCRIPTION	REMARKS	NOTE1	NOTE2
5		131300-56430	1	VALVE, CHECK		Sus. by A356-000030	
5		A356-000030	1	VALVE,CHECK			
6		132010-56330	1	PIPE 3*6*90	3*6*90 YL		
7		131312-39130	1	PIPE	3*5*70(+3)NBR	Sus. by V471-001200	
7		V471-001200	1	PIPE	3*5*70 NBR		
8		132115-46730	1	GROMMET, FUEL		Sus. by V137-000030	
8		V137-000030	1	GROMMET,FUEL			
9		132013-09820	1	CLIP	6MM		
10		131205-07320	1	STRAINER, FUEL			
11		132010-13930	1	PIPE, FUEL	3*5*180L NBR	Sus. by V471-001190	
11		V471-001190	1	PIPE	3*5*180 NBR		
12		900238-05016	2	SCREW 5*16	5*16		
14		900603-00005	2	WASHER 5	5.5*12*0.8		
15		131005-46830	1	TANK, FUEL		Sus. by 131005-46831	
15		131005-46831	1	TANK, FUEL			
16		131004-08960	1	CAP ASSY, FUEL			
17	+	131016-55830	1	GASKET, FUEL CAP			
18	+	131051-52430	1	CONNECTOR, CAP	80L		
19		305110-42030	1	STAND (BL)			

5. Handle



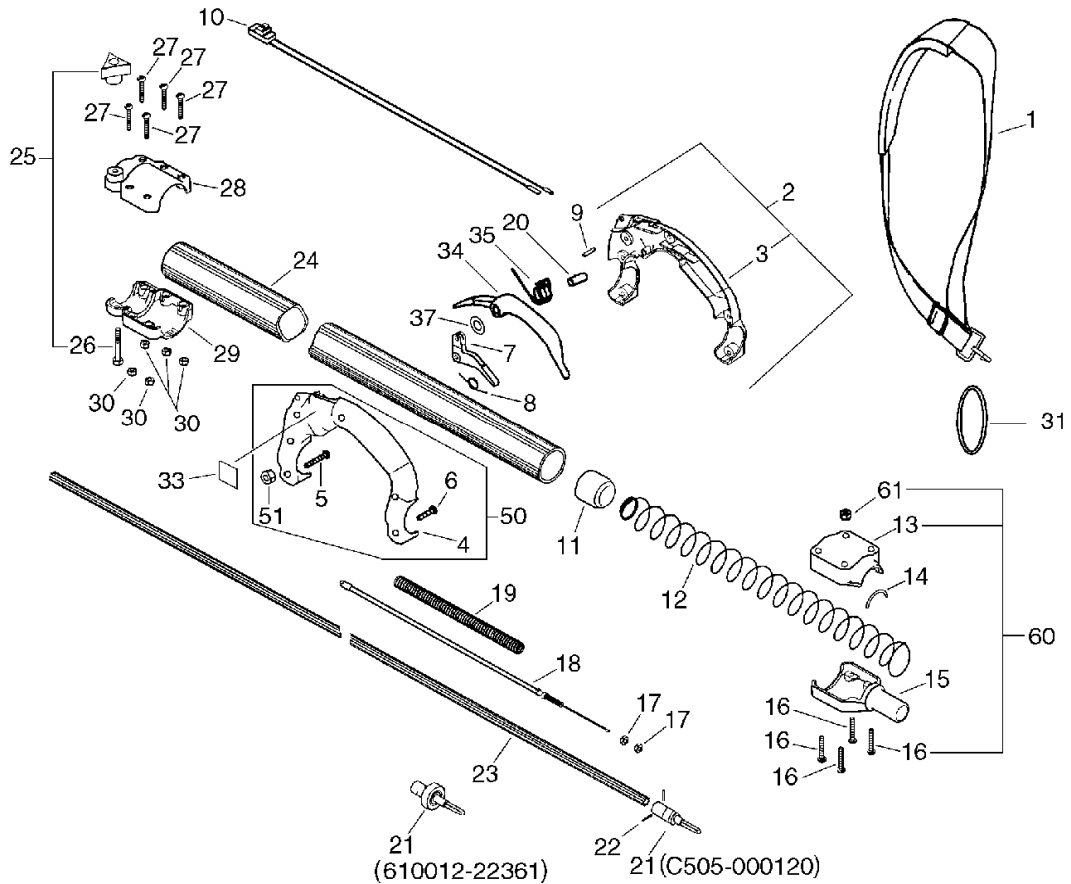
KEY	LV	PART NUMBER	Q'TY	DESCRIPTION	REMARKS	NOTE1	NOTE2
1		301000-22060	1	HARNES ASY,SHOULDER			
2		351100-22360	1	HANDLE SET, REAR		Sus. by 351100-22362	
2		351100-22361	1	HANDLE SET, REAR		Sus. by 351100-22362	
2		351100-22362	1	HANDLE SET, REAR			
3	+	351110-22562	1	HANDLE, REAR			
4	+	351101-22561	1	HANDLE, REAR		Sus. by P021-003531	
5	+	900053-00400	4	SCREW		Can be used on 351100-22360 only	
6	+	900053-00300	2	SCREW		Can be used on 351100-22360 only	
50	+	P021-003530	1	HANDLE ASY		Sus. by P021-003531	
50	+	P021-003531	1	HANDLE ASY		Sus. by P021-003532	
4	++	C410-000090	1	HANDLE,REAR	PP THROT LOCKOUT	Sus. by C410-000091	
5	++	900053-00400	6	SCREW		Can be used on the P021-003530 only	

5. Handle



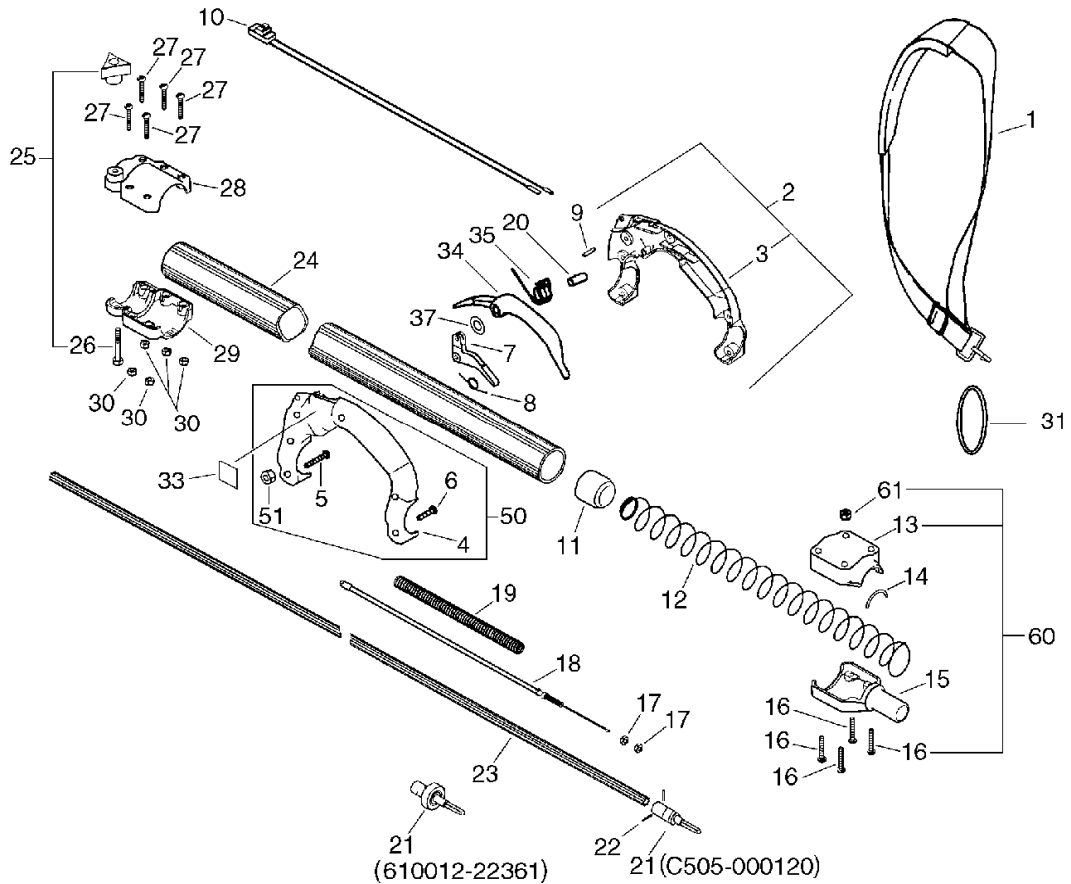
KEY	LV	PART NUMBER	Q'TY	DESCRIPTION	REMARKS	NOTE1	NOTE2
5	++	900053-00400	2	SCREW		Can be used on the P021-003531 only	
6	++	900053-00500	4	SCREW, PAN HEAD		Can be used on the P021-003531 only	
51	++	900031-50100	6	LOCKNUT			
7		178010-22560	1	TRIGGER, THROTTLE			
8		178043-22360	1	SPRING			
9		889960-22660	1	PIN, STRAIGHT			
10		163401-55630	1	SWITCH, IGNITION		Sus. by 163401-55631	
10		163401-55631	1	SWITCH, IGNITION			
11		433345-22660	1	GUIDE, SHAFT			
12		104940-22560	1	SPRING			
13		610810-22360	1	CAP, PIPE		Sus. by P021-003540	
60		P021-003540	1	CAP, MAIN PIPE ASY			
13	+	C525-000000	1	CAP, MAIN PIPE			
16	+	900053-00500	4	SCREW, PAN HEAD		Can be used on the P021-003540	
61	+	900031-50100	4	LOCKNUT			
14		104910-22460	1	CUSHION			
15		610248-22361	1	CONNECTOR, PIPE		Sus. by C510-000050	

5. Handle



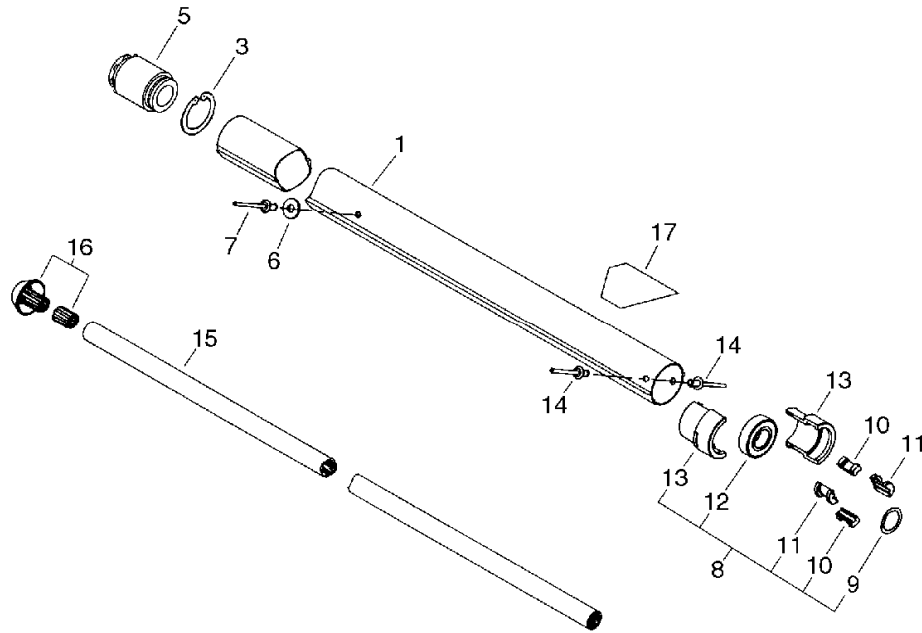
KEY	LV	PART NUMBER	Q'TY	DESCRIPTION	REMARKS	NOTE1	NOTE2
15		610248-22362	1	CONNECTOR, PIPE		Sus. by C510-000050	
15		610248-22360	1	CONNECTOR, PIPE		Sus. by C510-000050	
15		C510-000050	1	COUPLING, MAIN PIPE			
16		900053-00400	4	SCREW		Can be used on the 610810-22360	
17		900502-00006	2	NUT 6 (3N)	3N6		
18		178001-51030	1	WIRE, THROTTLE			
19		178016-22360	1	TUBE			
20		610850-22560	1	COLLAR			
21		C505-000120	1	CONNECTOR, SHAFT	250 CORE ASS'Y	Sus. by 610012-22361	
21		610012-22361	1	CONNECTOR, SHAFT			
22		880050-22360	2	PIN, SPIRAL		Sus. by V645-000000	
22		V620-000000	2	PIN, STRAIGHT 3>	2.5 * 20MM	Sus. by V645-000000	
22		V645-000000	2	PIN, SPIRAL	.098" X .687"		
23		610011-22060	1	SHAFT, DRIVE		Sus. by 610011-22061	
23		610011-22061	1	SHAFT, DRIVE			
24		610222-24660	1	PIPE, MAIN			
25		130406-22360	1	THUMB			

5. Handle



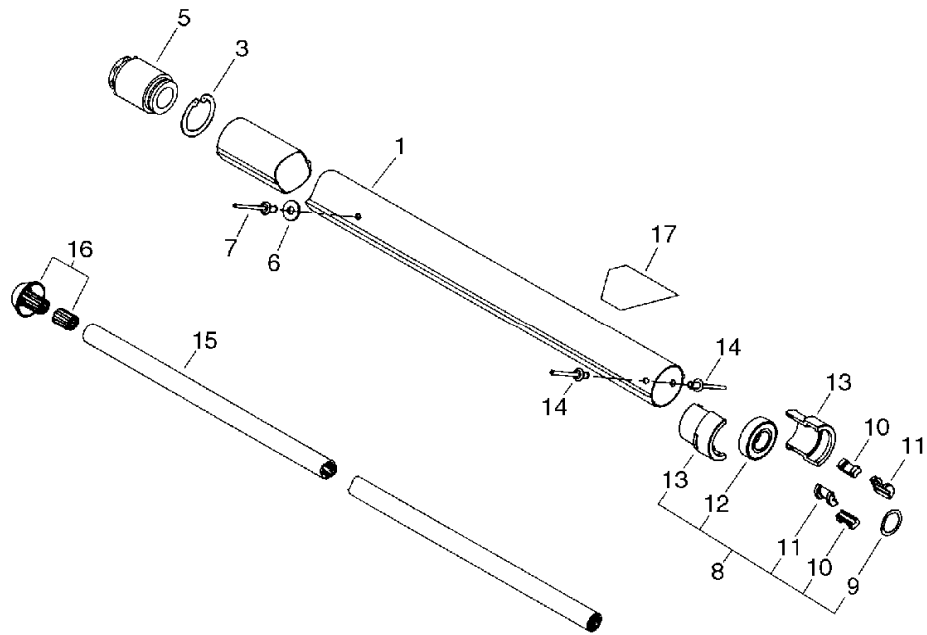
KEY	LV	PART NUMBER	Q'TY	DESCRIPTION	REMARKS	NOTE1	NOTE2
26	+	900051-00100	1	SCREW		Sus. by V204-000090	
26	+	V204-000090	1	BOLT,6			
27		900053-00400	5	SCREW			
28		610282-22460	1	COLLAR, MAIN PIPE			
29		610282-22360	1	COLLAR, MAIN PIPE			
30		900031-50100	5	LOCKNUT			
31		301016-52730	1	RING,HARNESS			
33		890157-39130	1	LABEL, SWITCH		Sr/Nr 36026765 and before Disuse	
34		178090-22560	1	LOCKOUT, THR.CONTROL			
35		178043-22560	1	SPRING		Sus. by 178043-22562	
35		178043-22561	1	SPRING	.39 INSIDE DIA.	Sus. by 178043-22562	
35		178043-22562	1	SPRING			
37		900603-00005	1	WASHER 5	5.5*12*0.8		

6. Pipe(Sr/Nr 36026865 and before)



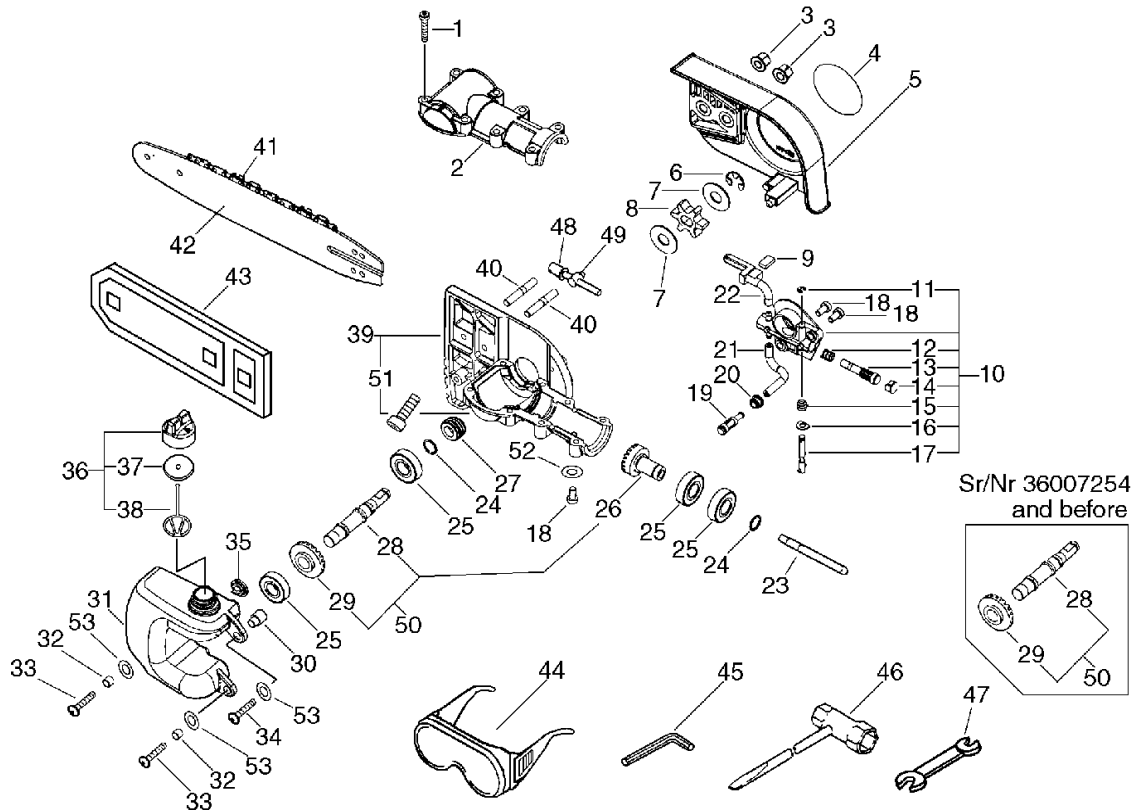
KEY	LV	PART NUMBER	Q'TY	DESCRIPTION	REMARKS	NOTE1	NOTE2
1		610210-22461	1	PIPE, MAIN	INNER L:80		
3		610335-22460	2	RING		Sr/Nr 36026865 and before Qty 2->1	
4		104293-22360	1	PAD, FOAM		Sr/Nr 36026865 and before Disuse	
5		433345-22361	1	GUIDE, SHAFT		Sr/Nr 36026865 and before Sus. by C316-000010	
6		400111-22360	1	WASHER			
7		890011-22460	1	RIVET			
8		610105-22360	1	BEARING, SHAFT			
9	+	178129-22360	1	WASHER			
10	+	433345-22460	2	GUIDE, SHAFT			
11	+	433345-22560	2	GUIDE, SHAFT			
12	+	900802-06002	1	BEARING, BALL 6002	6002DDU(LLU)		
13	+	610111-22360	2	HOLDER, BEARING			
14		890011-22360	2	RIVET			
15		610011-22460	1	SHAFT, DRIVE			
16		610298-22360	1	SOCKET, SHAFT			
17		890160-22660	1	LABEL, CAUTION		Sus. by 890160-22661	

7. Pipe(Sr/Nr 36026866 and after)



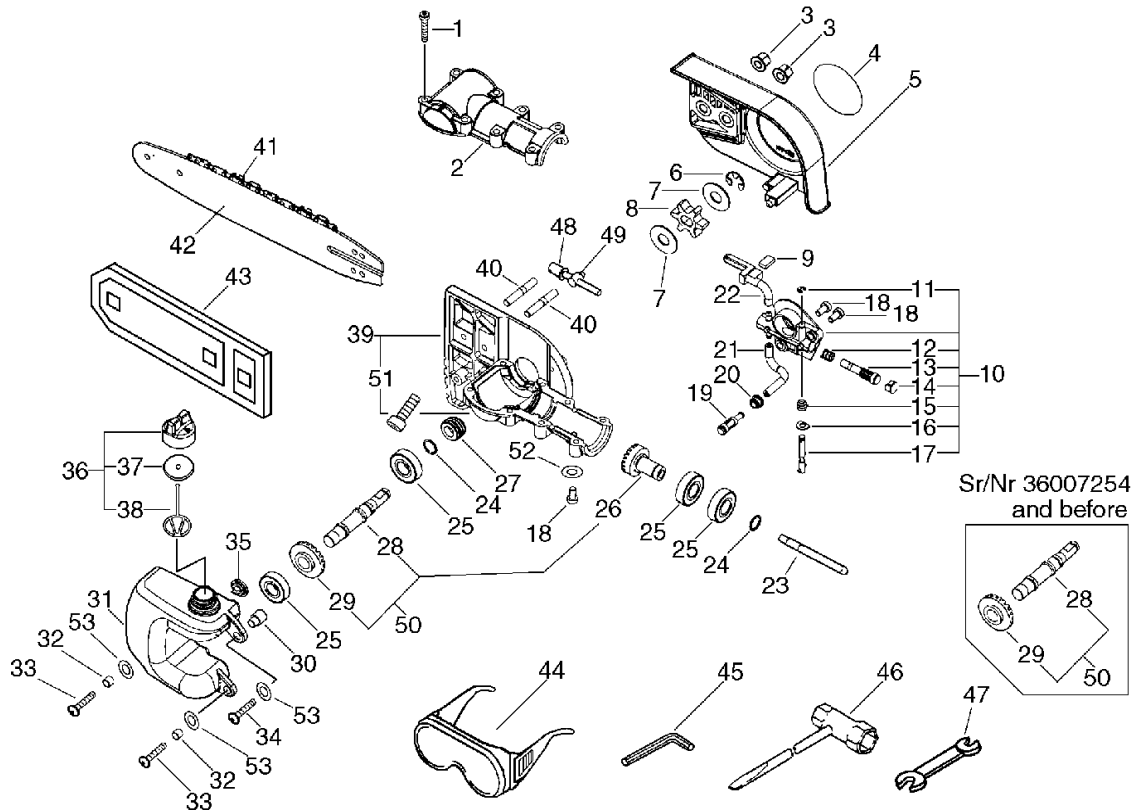
KEY	LV	PART NUMBER	Q'TY	DESCRIPTION	REMARKS	NOTE1	NOTE2
1		610210-22461	1	PIPE, MAIN	INNER L:80		
3		610335-22460	1	RING		Sr/Nr 36026866 and after	
5		C316-000010	1	GUIDE, SHAFT	OVERMOLD ASSY	Sr/Nr 36026866 and after	
6		400111-22360	1	WASHER			
7		890011-22460	1	RIVET			
8		610105-22360	1	BEARING, SHAFT			
9	+	178129-22360	1	WASHER			
10	+	433345-22560	2	GUIDE, SHAFT			
11	+	433345-22460	2	GUIDE, SHAFT			
12	+	900802-06002	1	BEARING, BALL 6002	6002DDU(LLU)		
13	+	610111-22360	2	HOLDER, BEARING			
14		890011-22360	2	RIVET			
15		610011-22460	1	SHAFT, DRIVE			
16		610298-22360	1	SOCKET, SHAFT			
17		890160-22661	1	LABEL, CAUTION	PVC FILM		

8. Auto-Oiler, Gear Case, Tools

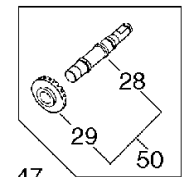


KEY	LV	PART NUMBER	Q'TY	DESCRIPTION	REMARKS	NOTE1	NOTE2
1		V253-000000	8	SCREW,5	5*25	Sus. by 900109-05025	
1		900109-05025	8	BOLT, H.S,H	5*25 SUS		
2		C531-000030	1	CASE,GEAR			
3		433019-03933	2	NUT, FLANGE 6	6		
4		890118-49130	1	LABEL, ECHO		Sus. by X502-000330	
5		C300-000000	1	GUARD,SPROCKET		Sus. by C300-000001	
5		C300-000001	1	GUARD,SPROCKET			
6		V583-000010	1	RING			
7		175014-39130	2	WASHER, CLUTCH	10.2*25*1.2	Sus. by 175014-39131	
7		175014-39131	2	WASHER, CLUTCH	10.2*24.5*1.2		
8		C580-000070	1	SPROCKET,DRIVE			
9		437244-39130	1	PAD, FORM			
10		437002-39130	1	AUTO-OILER ASSY			
11	+	123127-15030	1	RING			
12	+	437019-38330	1	SPRING			
13	+	437024-37330	1	PLUNGER			
14	+	437062-37330	1	CAP, OIL PUMP			
15	+	437015-37330	1	SPRING			
16	+	437029-37330	1	WASHER			
17	+	437016-39130	1	NEEDLE, ADJUST			

8. Auto-Oiler, Gear Case, Tools

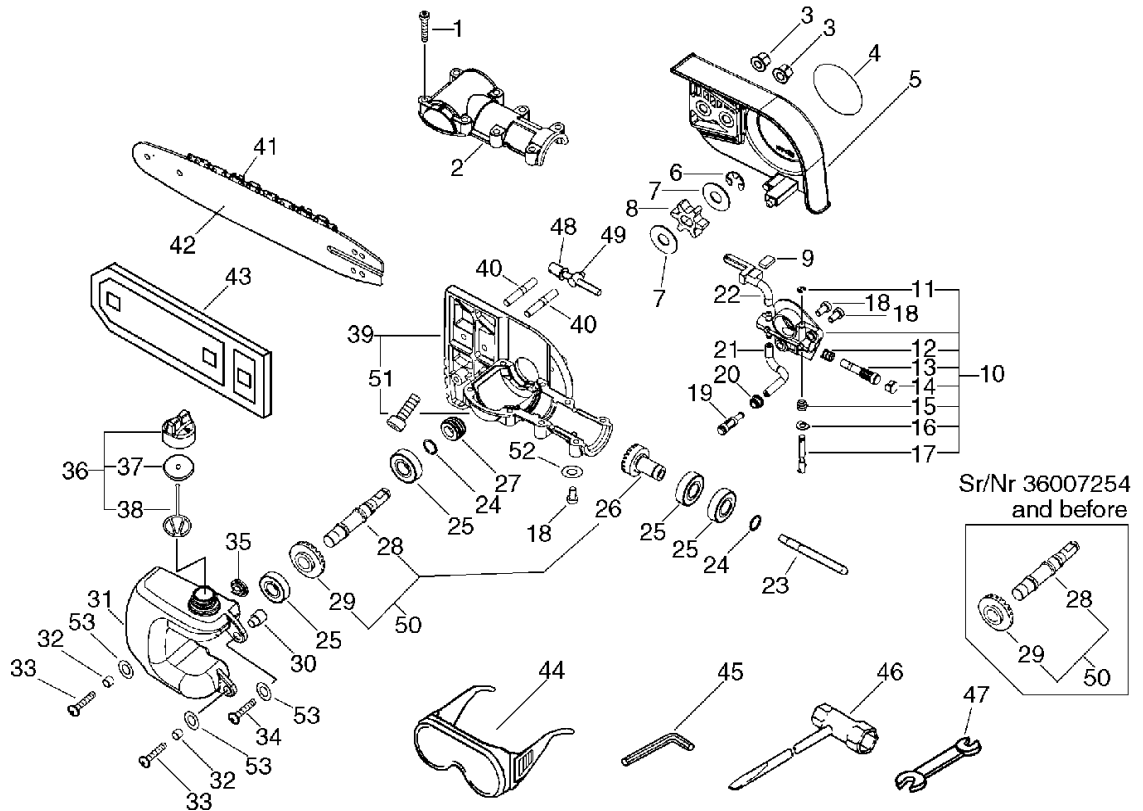


Sr/Nr 36007254
and before



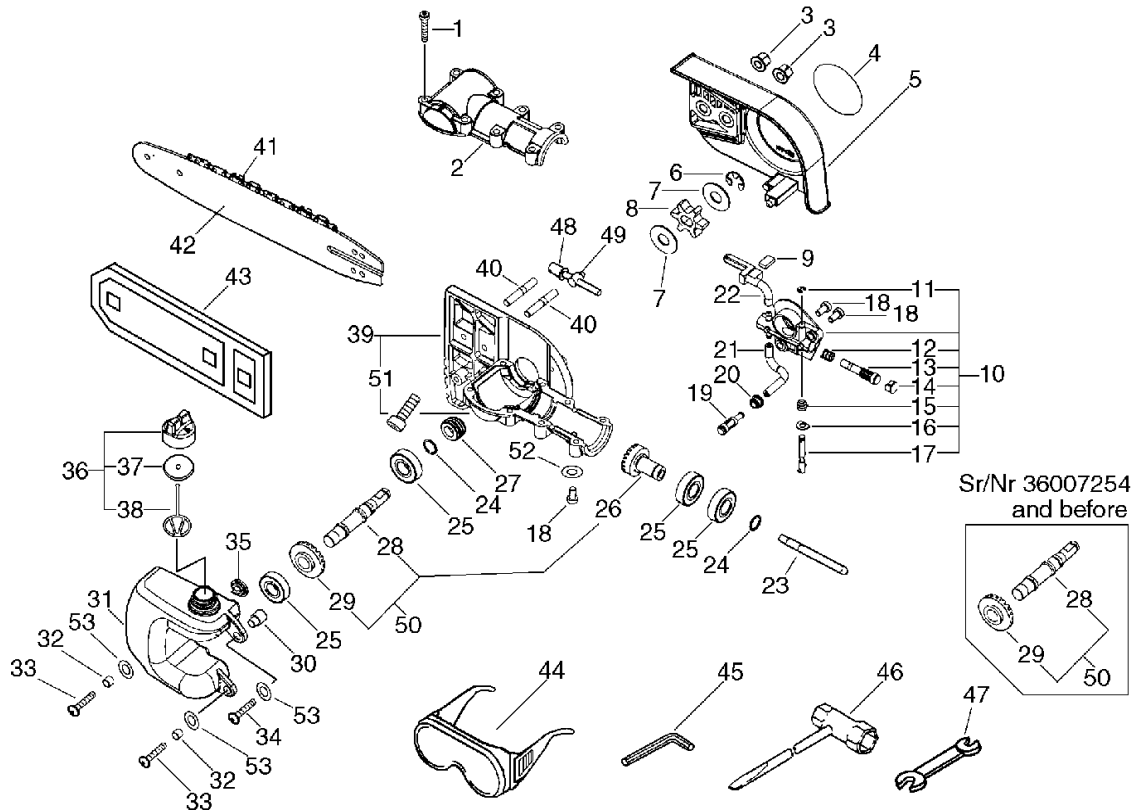
KEY	LV	PART NUMBER	Q'TY	DESCRIPTION	REMARKS	NOTE1	NOTE2
18		V253-000010	3	SCREW,5	5*10	Sus. by 900109-05010	
18		900109-05010	3	BOLT, H.S,	5*10		
19		436205-02832	1	STRAINER, OIL			
20		132115-01461	1	GROMMET			
21		130110-12330	1	PIPE, IMPULSE	3*6*70L		
22		V470-000180	1	PIPE			
23		610025-22360	1	CONNECTOR, SHAFT		Sus. by 610025-22361	
23		610025-22361	1	CONNECTOR, SHAFT			
24		900706-00012	2	CIRCLIP 12	WR-12		
25		94042-06001	4	BEARING BALL	6001LLU		
26		V651-000041	1	GEAR,BEVEL		Sus. by V651-000042	
26		V651-000042	1	GEAR,BEVEL		Sr/Nr 36007254 and before	
27		437063-38330	1	GEAR, WORM			
28		C534-000020	1	SHAFT,GEAR		Sus. by P021-005391	
29		610311-22061	1	GEAR		Sus. by P021-005391	
50		P021-005390	1	GEAR SET		Sus. by P021-005391	
50		P021-005391	1	GEAR SET		Sr/Nr 36007254 and before	

8. Auto-Oiler, Gear Case, Tools



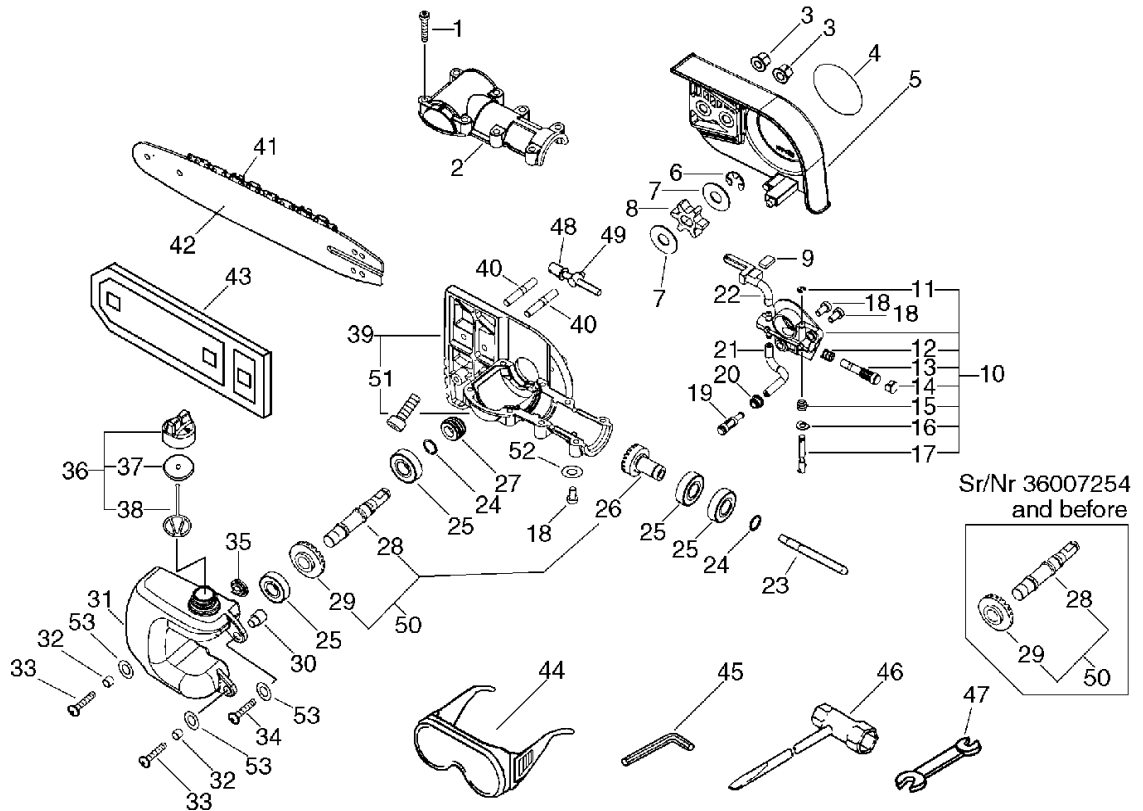
KEY	LV	PART NUMBER	Q'TY	DESCRIPTION	REMARKS	NOTE1	NOTE2
50		P021-009710	1	GEAR, SHAFT KIT		Sr/Nr 36007255 and after	
26	+	V651-000210	1	GEAR,BEVEL	MG 0600.2259	Can be used on the P021-009710 only	
28	+	C534-000180	1	SHAFT,GEAR		Can be used on the P021-005391 only	
29	+	V651-000100	1	GEAR,BEVEL		Sus. by V651-000111	
29	+	V651-000110	1	GEAR,BEVEL		Sus. by V651-000111	
29	+	V651-000111	1	GEAR,BEVEL		Can be used on the P021-005391 only	
29	+	V651-000200	1	GEAR,BEVEL	MG 0600.2259	Can be used on the P021-009710 only	
30		V354-000010	1	COLLAR,6			
31		C200-000000	1	TANK,OIL			
32		131045-28230	2	COLLAR			
33		V253-000030	2	SCREW,5	5*16	Sus. by 91109-05016	
33		91109-05016	2	BOLT	CB 5*16		
34		V253-000020	1	SCREW,5	5*28	Sus. by 900109-05025	

8. Auto-Oiler, Gear Case, Tools



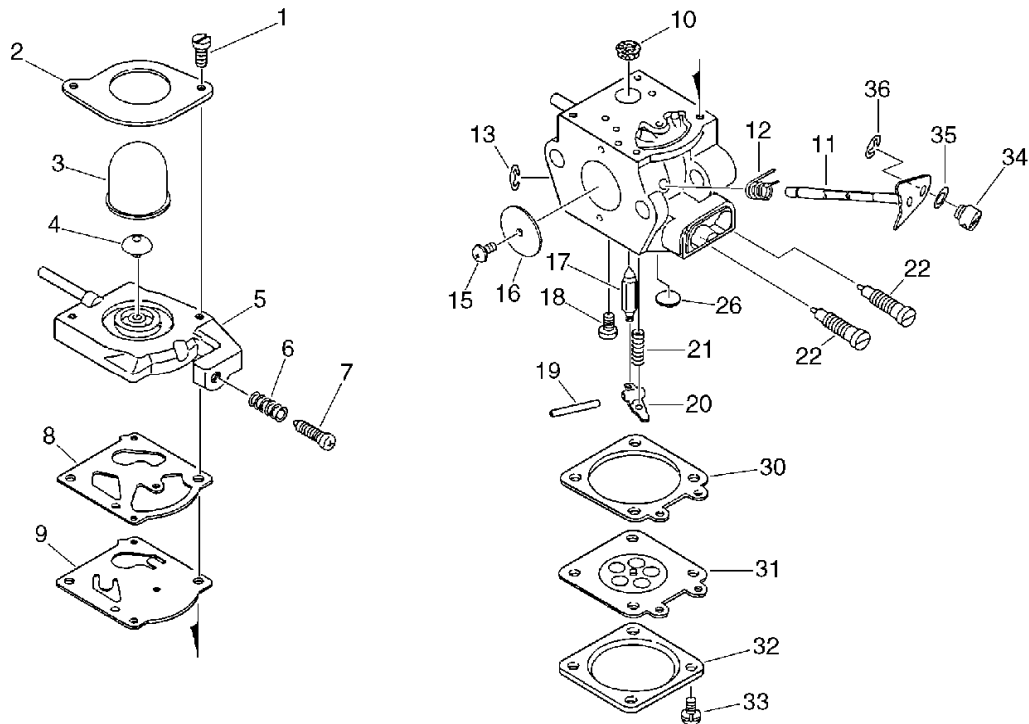
KEY	LV	PART NUMBER	Q'TY	DESCRIPTION	REMARKS	NOTE1	NOTE2
34		900109-05025	1	BOLT, H.S,H	5*25 SUS		
35		131314-06320	1	VALVE, CHECK			
36		P021-000950	1	CAP ASSY, OIL			
37	+	436012-37830	1	GASKET, CIRCULAR			
38	+	131051-19830	1	LINK	60L		
39		C531-000040	1	CASE,GEAR		Sr/Nr 36007474 and before	
39		C051-000120	1	CASE,GEAR	PPT GC ASSEMBLY	Sr/Nr 36007475 and after	
51	+	900109-05010	1	BOLT, H.S,	5*10	Can be used on the C051-000120 only	
40		V224-000000	2	BOLT,STUD 6			
41		431611-22360	1	CHAIN, SAW	90SG-44		
42		430411-22360	1	BAR, GUIDE30RC43-3/8	30RC-43-3/8	Sr/Nr 005939 and before	
42		X102-000020	1	BAR,GUIDE 30		Sr/Nr 005940 and after Sus. by X102-000060	
43		898513-22360	1	SCABBARD, GUIDE BAR		Sus. by X490-000050	
43		X490-000050	1	SCABBARD,CHAIN	12° BAR		
44		899580-68730	1	SAFETY GLASSES		Sus. by P021-002861	

8. Auto-Oiler, Gear Case, Tools



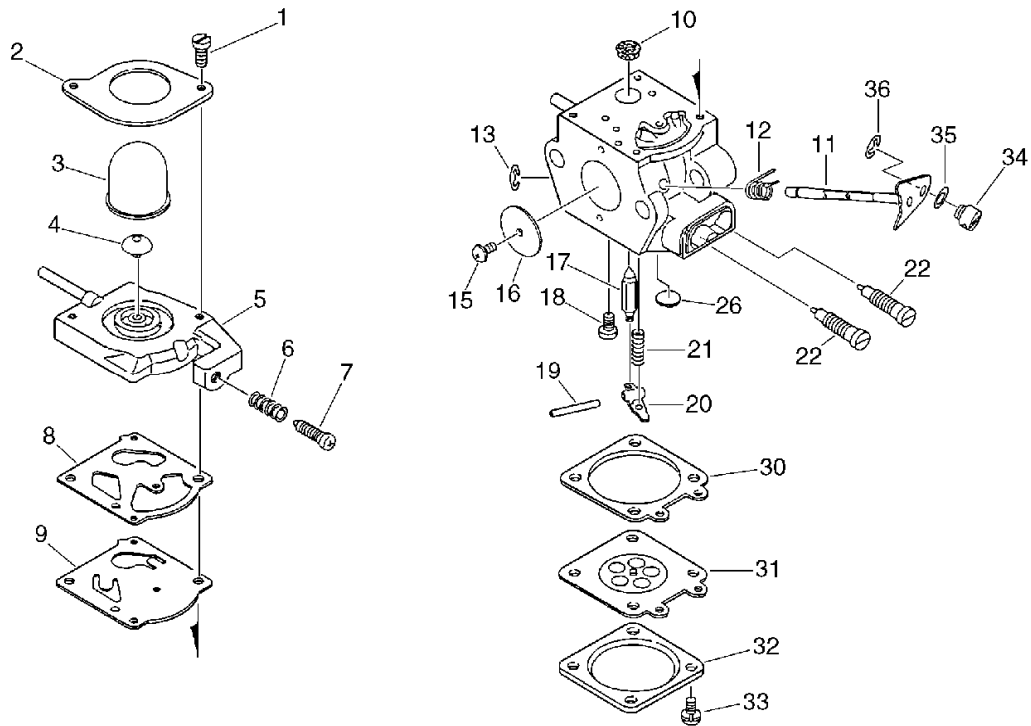
KEY	LV	PART NUMBER	Q'TY	DESCRIPTION	REMARKS	NOTE1	NOTE2
44		X690-000030	1	GOGGLE		Sus. by P021-002861	
44		P021-002861	1	GOGGLES		Sus. by X690-000050	
45		895612-03430	1	L-WRENCH (3MM)		Sr/Nr 36008259 and before	
45		895610-00130	1	L-WRENCH (4MM)		Sr/Nr 36008260 and after	
46		895410-39130	1	WRENCH, W/S-DRIVER		Sus. by 895410-39131	
46		895410-39131	1	WRENCH, W/S-DRIVER			
47		895112-00330	1	SPANNER 8*10		Disuse	
48		433016-39131	1	BOLT			
49		433014-03931	1	TENSIONER			
52		900600-00005	1	WASHER 5	5	Sr/Nr 36006088 and after	
53		900603-00005	3	WASHER 5	5.5*12*0.8	Sr/Nr 36006088 and after	

9. Carburetor



KEY	LV	PART NUMBER	Q'TY	DESCRIPTION	REMARKS	NOTE1	NOTE2
		123000-52133	1	CARBURETOR WT-424C	WT-424C		
1	+	123110-43130	2	SCREW			
2	+	123142-09560	1	COVER, PRIMER PUMP			
3	+	123181-09560	1	PUMP, PRIMER			
4	+	123171-35630	1	VALVE, CHECK			
5	+	123124-43230	1	COVER, FUEL PUMP			
6	+	123133-04260	1	SPRING, IDLE ADJUST			
7	+	123134-04260	1	SCREW, IDLE ADJUST			
8	+	123125-09560	1	GASKET, FUEL PUMP			
9	+	123112-09560	1	DIAPHRAGM, FUEL PUMP			
10	+	123126-10631	1	SCREEN, INLET			
11	+	123117-52130	1	SHAFT, THROTTLE			
12	+	123113-52130	1	SPRING, THE.RTN			
13	+	123127-15030	1	RING			
15	+	123114-38830	1	SCREW			
16	+	123116-53130	1	VALVE, THROTTLE			
17	+	123137-19830	1	VALVE, INLET NEEDLE			
18	+	123139-03930	1	SCREW, M. LEVER PIN			
19	+	123138-03930	1	PIN, METERING LEVER			
20	+	123123-03930	1	LEVER, METERING			
21	+	123122-39330	1	SPRING, METER. LEVER			
22	+	123120-52131	2	NEEDLE, HIGH SPEED			
26	+	123146-10631	1	PLUG, WELCH			
30	+	123140-03930	1	GASKET, M. DIAPHRAGM			
31	+	123141-03930	1	DIAPHRAGM, METERING			
32	+	123142-03930	1	COVER, M. DIAPHRAGM			

9. Carburetor



KEY	LV	PART NUMBER	Q'TY	DESCRIPTION	REMARKS	NOTE1	NOTE2
33	+	123130-02960	4	SCREW			
34	+	123172-26030	1	SWIVEL			
35	+	123149-26030	1	WASHER			
36	+	123173-07930	1	CLIP			

Index

Patrs Number	Key No.	Patrs Number	Key No.	Patrs Number	Key No.
100000-09563	1 - 8	123173-07930	9 - 36	175014-39131	8 - 7
100011-09560	1 - 9	123181-09560	9 - 3	175053-04920	1 - 32
100013-11520	1 - 10	129011-06360	3 - 16	177200-42033	2 - 12
100014-11520	1 - 12	129011-06361	3 - 16	177202-44330	2 - 9
100015-04630	1 - 11	130010-05960	3 - 9	177202-44331	2 - 9
100204-52130	1 - 13	130010-42032	3 - 5	177215-44430	2 - 14
100204-52131	1 - 13	130017-42031	3 - 7	177218-44330	2 - 11
100204-52132	1 - 13	130110-12330	8 - 21	177220-42030	2 - 18
100212-42030	1 - 14	130307-06761	3 - 14	177226-10120	2 - 15
100212-42031	1 - 14	130310-54130	3 - 18	177227-42030	2 - 16
100215-03930	1 - 15	130313-05863	3 - 19	177228-06530	2 - 17
100242-42030	1 - 18	130406-22360	5 - 25	177234-42030	2 - 10
101010-44332	1 - 7	131004-08960	4 - 16	177236-44330	2 - 13
101011-08961	1 - 5	131005-46830	4 - 15	178001-51030	5 - 18
101511-44630	1 - 20	131005-46831	4 - 15	178010-22560	5 - 7
101514-44531	1 - 28	131016-55830	4 - 17	178016-22360	5 - 19
104293-22360	6 - 4	131045-28230	8 - 32	178043-22360	5 - 8
104910-22460	5 - 14	131051-19830	8 - 38	178043-22560	5 - 35
104940-22560	5 - 12	131051-52430	4 - 18	178043-22561	5 - 35
123000-52133	3 - 10	131205-07320	4 - 10	178043-22562	5 - 35
123000-52133	9 -	131300-56430	4 - 5	178090-22560	5 - 34
123110-43130	9 - 1	131312-39130	4 - 7	178129-22360	6 - 9
123112-09560	9 - 9	131314-06320	8 - 35	178129-22360	7 - 9
123113-52130	9 - 12	132010-13930	4 - 11	210417-52730	3 - 20
123114-38830	9 - 15	132010-56330	4 - 6	301000-22060	5 - 1
123116-53130	9 - 16	132013-09820	4 - 9	301016-52730	5 - 31
123117-52130	9 - 11	132115-01461	8 - 20	305110-42030	4 - 19
123120-52131	9 - 22	132115-46730	4 - 8	351100-22360	5 - 2
123122-39330	9 - 21	145631-42030	3 - 29	351100-22361	5 - 2
123123-03930	9 - 20	145800-52631	3 - 28	351100-22362	5 - 2
123124-43230	9 - 5	145800-52632	3 - 28	351101-22561	5 - 4
123125-09560	9 - 8	145800-52633	3 - 28	351110-22562	5 - 3
123126-10631	9 - 10	145818-52130	3 - 34	400111-22360	6 - 6
123127-15030	8 - 11	145862-40630	3 - 31	400111-22360	7 - 6
123127-15030	9 - 13	145866-42031	3 - 32	430411-22360	8 - 42
123130-02960	9 - 33	145876-42030	3 - 33	431611-22360	8 - 41
123133-04260	9 - 6	150112-44330	2 - 8	433014-03931	8 - 49
123134-04260	9 - 7	156626-52730	2 - 4	433016-39131	8 - 48
123137-19830	9 - 17	156801-09660	2 - 2	433019-03933	8 - 3
123138-03930	9 - 19	159010-10230	2 - 7	433345-22361	6 - 5
123139-03930	9 - 18	159012-10230	2 - 5	433345-22460	6 - 10
123140-03930	9 - 30	159016-05330	2 - 6	433345-22460	7 - 11
123141-03930	9 - 31	159912-44530	1 - 30	433345-22560	6 - 11
123142-03930	9 - 32	162010-52830	2 - 21	433345-22560	7 - 10
123142-09560	9 - 2	163401-55630	5 - 10	433345-22660	5 - 11
123146-10631	9 - 26	163401-55631	5 - 10	436012-37830	8 - 37
123149-26030	9 - 35	175000-56830	2 - 1	436205-02832	8 - 19
123171-35630	9 - 4	175005-42030	1 - 36	437002-39130	8 - 10
123172-26030	9 - 34	175014-39130	8 - 7	437015-37330	8 - 15

Index

Patrs Number	Key No.	Patrs Number	Key No.	Patrs Number	Key No.
437016-39130	8 - 17	895410-39131	8 - 46	900802-06002	7 - 12
437019-38330	8 - 12	895610-00130	8 - 45	900814-06201	1 - 34
437024-37330	8 - 13	895612-03430	8 - 45	91109-05016	8 - 33
437029-37330	8 - 16	898513-22360	8 - 43	94035-36201	1 - 16
437062-37330	8 - 14	899580-68730	8 - 44	94042-06001	8 - 25
437063-38330	8 - 27	900031-50100	5 - 51	A011-000100	1 - 3
437244-39130	8 - 9	900031-50100	5 - 61	A011-000101	1 - 3
610011-22060	5 - 23	900031-50100	5 - 30	A320-000250	3 - 29
610011-22061	5 - 23	900051-00100	5 - 26	A320-000251	3 - 29
610011-22460	6 - 15	900053-00300	5 - 6	A356-000030	4 - 5
610011-22460	7 - 15	900053-00400	5 - 5	C051-000120	8 - 39
610012-22361	5 - 21	900053-00400	5 - 5	C200-000000	8 - 31
610025-22360	8 - 23	900053-00400	5 - 5	C300-000000	8 - 5
610025-22361	8 - 23	900053-00400	5 - 16	C300-000001	8 - 5
610105-22360	6 - 8	900053-00400	5 - 27	C316-000010	7 - 5
610105-22360	7 - 8	900053-00500	5 - 6	C410-000090	5 - 4
610111-22360	6 - 13	900053-00500	5 - 16	C505-000120	5 - 21
610111-22360	7 - 13	900105-05055	3 - 36	C510-000050	5 - 15
610210-22461	6 - 1	900109-05010	8 - 18	C525-000000	5 - 13
610210-22461	7 - 1	900109-05010	8 - 51	C531-000030	8 - 2
610222-24660	5 - 24	900109-05025	8 - 1	C531-000040	8 - 39
610248-22360	5 - 15	900109-05025	8 - 34	C534-000020	8 - 28
610248-22361	5 - 15	900151-05025	1 - 21	C534-000180	8 - 28
610248-22362	5 - 15	900162-04022	2 - 3	C580-000070	8 - 8
610282-22360	5 - 29	900162-05022	1 - 6	P021-000950	8 - 36
610282-22460	5 - 28	900162-05025	1 - 21	P021-002861	8 - 44
610298-22360	6 - 16	900162-05028	1 - 19	P021-003530	5 - 50
610298-22360	7 - 16	900163-04016	1 - 24	P021-003531	5 - 50
610311-22061	8 - 29	900163-04016	1 - 31	P021-003540	5 - 60
610335-22460	6 - 3	900163-04016	2 - 19	P021-005390	8 - 50
610335-22460	7 - 3	900238-04010	3 - 35	P021-005391	8 - 50
610810-22360	5 - 13	900238-04012	1 - 26	P021-009710	8 - 50
610850-22560	5 - 20	900238-05016	4 - 12	V104-000160	3 - 30
880050-22360	5 - 22	900238-05020	3 - 8	V137-000030	4 - 8
889960-22660	5 - 9	900242-05065	3 - 17	V204-000090	5 - 26
890011-22360	6 - 14	900253-05016	1 - 29	V224-000000	8 - 40
890011-22360	7 - 14	900500-00005	3 - 6	V253-000000	8 - 1
890011-22460	6 - 7	900502-00006	5 - 17	V253-000010	8 - 18
890011-22460	7 - 7	900600-00005	1 - 23	V253-000020	8 - 34
890034-24661	1 - 27	900600-00005	3 - 37	V253-000030	8 - 33
890118-49130	2 - 20	900600-00005	8 - 52	V354-000010	8 - 30
890118-49130	8 - 4	900603-00005	4 - 14	V470-000180	8 - 22
890157-39130	5 - 33	900603-00005	5 - 37	V471-001190	4 - 11
890160-22660	6 - 17	900603-00005	8 - 53	V471-001200	4 - 7
890160-22661	7 - 17	900605-00005	1 - 22	V553-000010	1 - 4
890332-52730	3 - 22	900701-00012	1 - 33	V583-000010	8 - 6
890334-52730	3 - 21	900702-00032	1 - 35	V620-000000	5 - 22
895112-00330	8 - 47	900706-00012	8 - 24	V645-000000	5 - 22
895410-39130	8 - 46	900802-06002	6 - 12	V651-000041	8 - 26

Index

Patrs Number	Key No.	Patrs Number	Key No.	Patrs Number	Key No.
V651-000042	8 - 26				
V651-000100	8 - 29				
V651-000110	8 - 29				
V651-000111	8 - 29				
V651-000200	8 - 29				
V651-000210	8 - 26				
X102-000020	8 - 42				
X490-000050	8 - 43				
X690-000030	8 - 44				

YAMABIKO CORPORATION

7-2 SUEHIROCHO 1-CHOME, OHME, TOKYO 198-8760, JAPAN
PHONE: 81-428-32-6118. FAX: 81-428-32-6145.

